

**DIAMOND**  
GLASS & ALUMINUM

# COMPANY PROFILE

Design | Fabrication | Installation



Innovative Aluminium & Glass Solutions For Modern Architecture





# TABLE OF CONTENTS

## 1. WHO WE ARE

Introduction  
our mission  
our vision  
our core values  
our skills

## 2. WHAT WE DO

### ALUMINIUM INSTALLATIONS:

We install all aluminium products including windows, doors, partitions, shower enclosures; structural facades (curtain walling) shop fronts, balustrades (railing), & louvers among others

### FLOAT GLASS

We sell and distribute all types of best quality building glass to meet all structural glazing needs in both wholesale and retail.

### MAINTENANCE:

We carry out repair and maintenance to any type of aluminium installation.

## 3. OUR REFERENCES

Our partners  
Projects  
contact us

# INTRODUCTION

Imagine that you have a light, but strong metal, which is not prone to corrosion, which is non-toxic and durable, and which can be given virtually any desired shape.

Aluminium is a tool for unlimited creativity in the hands of the architect, making it possible to create structures that cannot be made from wood, plastic, or steel.

We can thank Aluminium and glass for the changing image of modern cities and towns: the clarity of lines, the feverish desire to grow skyward, the beauty, functionality and environmental compatibility of present-skyscrapers which are supported by lightweight and sturdy Aluminium frames and the beauty afforded by a wide variety of glass.

Diamond Glass And Aluminium are one of the leading aluminium and Glass companies in Kenya with over 5 years of credible experience

We have branches in different locations in Nairobi and its environs. Over the years, we have continually grown and diversified the range of our services to provide a comprehensive tailor made engineering solutions to the demanding requirements of the Kenyan market



# Who we are

We are fully equipped with the latest technology and machines capable of executing and completing any size of project on time .our staff are well trained to the highest standards.

We have executed and completed numerous residential tower buildings, hotels and resorts, shopping malls, commercial buildings, banks, airport free zone buildings, showrooms, luxury villas, warehouses and more. cuted and completed numerous residential tower buildings,

We are a locally owned company dealing with import, wholesale distributing, fabrication installation & repair of aluminium and glass products for residential and commercial projects

## Our Mission

To be the leading building & construction company within the region and deliver quality, creative, world class glass & aluminium solutions to our customers

## Our Vision

To be the leading building & construction company within the region and deliver quality, creative, world class glass & aluminium solutions to our customers

## Our Core Values

- Quality service to clients with utmost professionalism & integrity
- creative solutions with state-of-the-art technology
- A flexible, healthy work environment
- Affordability and cost efficiency

# Our skills

Years of experience have earned us the knowledge and skills to achieve the best architectural glazing exterior and interior solutions.

Our teams are well trained to skillfully deliver on any size of project, from standard installations to fitting the most intricate fixtures, always working diligently to meet our clients' project schedules, budgets and delivery requirements



# Our products & services

We design and customize the installation of all types of

- **ALUMINIUM Structures**
- **GLASS Fittings**

We provide service maintenance & technical/engineering support, e.g., general Installations, trouble shooting and repair

We provide technical expertise in the areas of preventive and predictive maintenance, e.g., new technology, products and services

We offer free estimates upon request, and on a case-to-case basis, free after-sales service.



# Our customers

Most of our valued customers are from the private sectors, and they include office buildings, hotels & Institutions, banks & insurance companies, shopping Malls, diplomatic residences, etc



Hospitality



Real Estate



Industry



Medical



Education

# Selected Projects

Algarve Distillers Ltd, Office block along southern by-pass    Galleria Mall - Office Partitioning





## After sales service

We treat all of the company's partners and our customers with dignity and respect.

We firmly believe that after sales service has an impact on the success of our business it forms the basis of the way we operate.

Most of our works come with a warranty and support of up to six months



## Why Choose Us

1. High-quality glass & aluminium solutions
2. Skilled workmanship and attention to detail
3. Modern and innovative designs
4. Durable and long-lasting installations
5. Timely project delivery
6. Customer-focused service

# What we do



## ALUMINIUM

Our specialized areas of Aluminium works include the following.

- Conventional as well as thermally broken aluminium doors and windows.
- Aluminium and glass hand railing and balustrades.
- Aluminium louvers.
- Capped curtain walling.
- Structurally glazed stick or unitized curtain walling.
- Aluminium composite panel cladding.
- Frameless shop-fronts and glazing

## GLASS

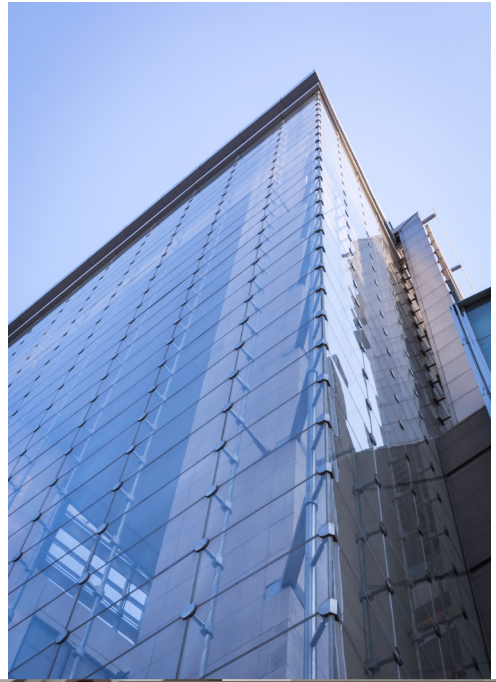
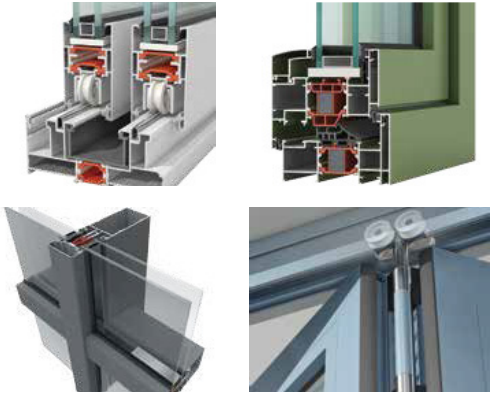
Our range of float glass include; clear float glass, reflective float glass, aluminium glass mirror tinted float glass, wire glass, empered/ safety glass, textured glass, laminated glass etc

Our specialized areas of Glass works include the following.

- Tempering
- Edge works (polishing, bevelling etc.)
- Double glazing
- Laminating & Fusing
- Sand blasting
- Stained glass
- Acid etching
- Glass painting

## OTHER PRODUCTS

Perspex sheets, Aluminium Composite boards, Silicon sealants, and all types of aluminium accessories



Innovative  
aluminum  
systems

That Bring Our Customers'  
Visions to Life



Modern  
Stylish  
Unique  
a fully integrated  
railing system

# Project Portfolio

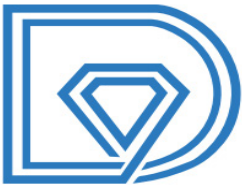
1. Addisson Apartments  
Kilimani
2. Annex Towers - Juja
3. Chinese Embassy
4. City Brothers Apartments  
South B
5. Crossroad 2

11. Kenyatta National Hospital
12. EPHIS
13. KMTC Kitale
14. Ministry of Land Housing  
& Urban Developmen
15. Relax Holding Ltd -  
Kilimani

6. Gambella Apartment-  
Ngara
7. Hyperland 1
8. Hyperland 3
9. Kengen Limited
10. Kenston South B -  
Kapiti Road

16. Rugsan 2 Apartments
17. Stima Investment Plaza 1
18. Ushirika Heights  
Apartment
19. Wafi Investiment –  
California
20. Yetu Sacco, Meru County





# DIAMOND

GLASS & ALUMINIUM



## ENGINEERING ELEGANCE IN GLASS & ALUMINIUM

At Diamond Glass & Aluminium, we provide premium glass and aluminium solutions designed to enhance modern spaces. With a commitment to quality, innovation, and customer satisfaction, we deliver results that are both durable and visually striking.

### Diamond Aluminium & Glassworks Ltd.

Embakasi, off Airport North Road.

Email : [diamondaluminumandglass@gmail.com](mailto:diamondaluminumandglass@gmail.com)

Phone : +254 729 587 286